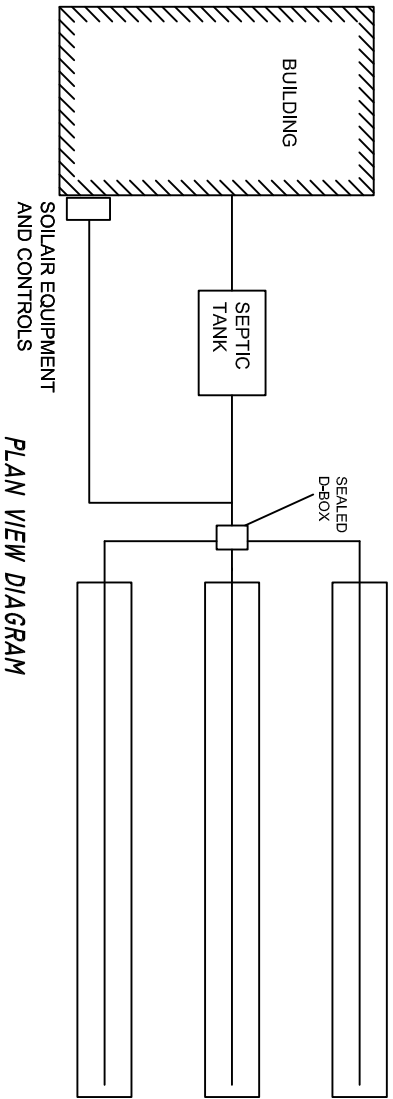


**SOILAIR WITHIN A SEPTIC TANK - GRAVITY FLOW SYSTEM**



Copyright 2009 SoilAir is a trademark of GEOMATRIX, LLC  
 Manufactured under one or more of the following patents: 5,485,647; 6,726,401; 6,814,866;  
 6,887,383; 6,935,905; 6,999,892; 6,989,464; 7,157,011; 7,309,434.

SoilAir™ System  
 within septic tank  
 GEOMATRIX, LLC  
 Old Saybrook, CT

SCALE	NONE	REV.	
DATE	8/27/2014	FILE NAME	SOILAIR GRAVITY TANK.DWG
DRAWN BY:	DK	SHEET	1 OF 1