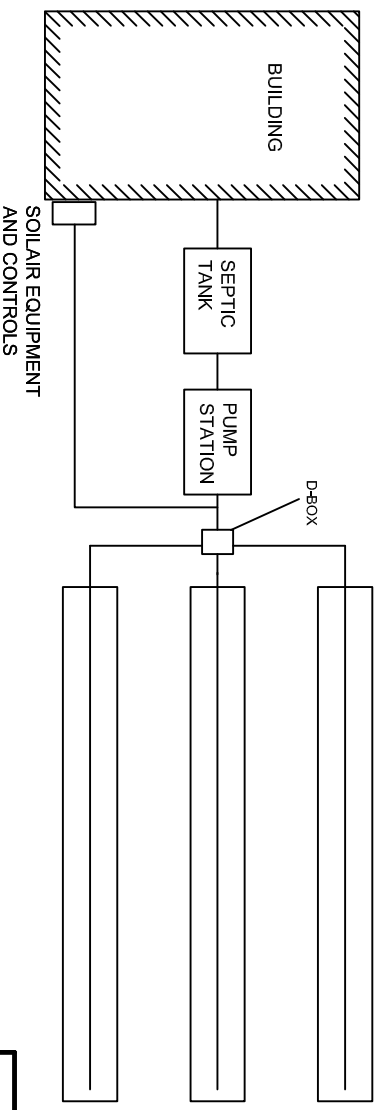


## SOILAIR PUMP TANK - DEMAND DOSED SYSTEM

Notes:  
 -Pump float and SoilAir float elevations to be set by Geomatrix at the time of installation



Copyright 2009 SoilAir is a trademark of GEOMATRIX, LLC  
 Manufactured under one or more of the following patents: 5,485,647, 6,726,401, 6,814,886,  
 6,887,383, 6,939,905, 6,999,892, 6,989,464, 7,157,011, 7,309,434.

**SoilAir™ System**  
 with timed dosed pump station  
 GEOMATRIX, LLC  
 Old Saybrook, CT

SCALE	NONE	REV.	
DATE	6/24/2014	FILE NAME	SOILAIR DEMAND DOSED PUMP STATION.DWG
DRAWN BY:	DK	SHEET	1 OF 1